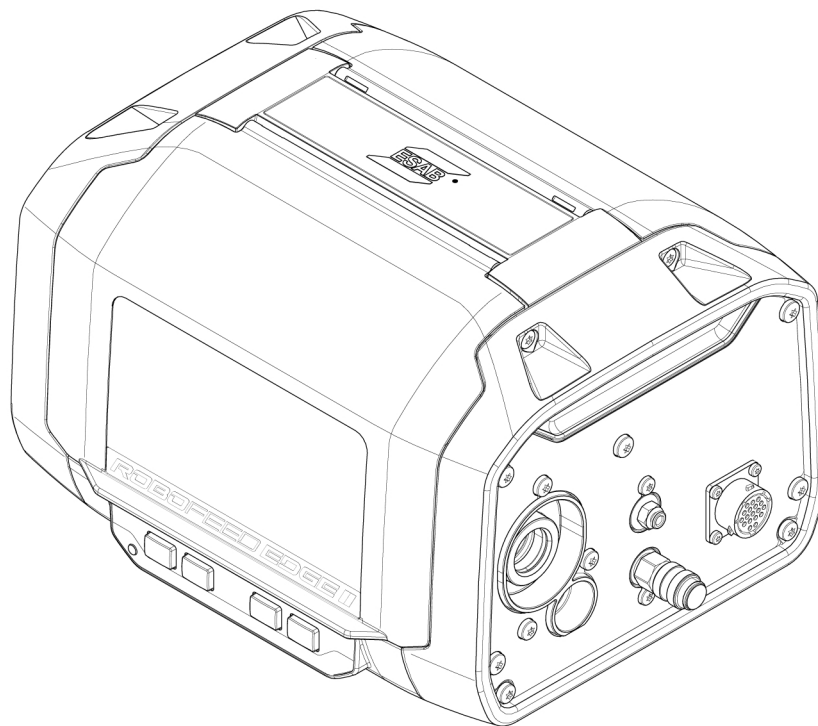




RoboFeed Edge, Warrior Edge BoomFeed



Spare parts list

Ordering no.	Denomination	Notes
0445 900 880	RoboFeed Edge	TrueArc Module (TAM)
0445 900 881	RoboFeed Edge	Euro connector
0463 889 *	RoboFeed Edge	Instruction manual
0448 777 880	Warrior Edge BoomFeed	Euro connector
0448 777 881	Warrior Edge BoomFeed	Tweco
A000 101 421	Warrior Edge BoomFeed	Instruction manual
A000 101 416	Warrior Edge BoomFeed	Quick start guide

Spare parts may be ordered through your nearest ESAB dealer, see esab.com. When ordering, please state product type, serial number, denominations and ordering numbers according to the spare parts list. This facilitates dispatch and ensures correct delivery.

Maintenance and repair work should be performed by an experienced person, and electrical work only by a trained electrician. Use only recommended spare parts.

For accessories to the product, see the instruction manual.

The three last digits in the document number of the manual show the version of the manual. Therefore they are replaced with * here. Make sure to use a manual with a serial number or software version that corresponds with the product, see the front page of the manual.

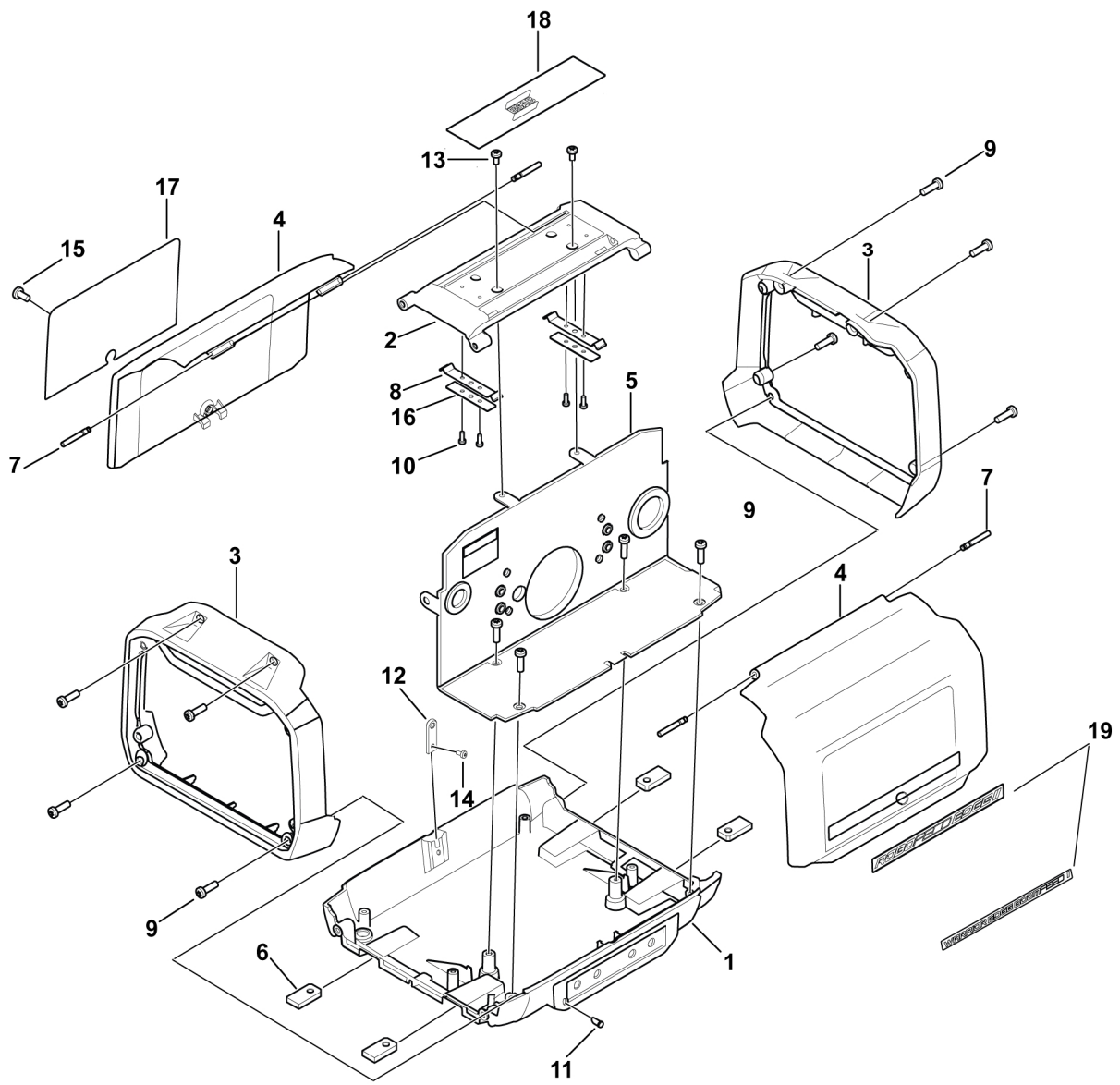
1	SPARE PARTS	4
1.1	Housing module	4
1.2	Drive unit module	6
1.3	Torch module	8
	1.3.1 TrueArc (RoboFeed).....	9
	1.3.2 Torch module CE RoboFeed / BoomFeed	10
	1.3.3 Torch module CSA RoboFeed/BoomFeed	11
1.4	Gas control module digital	13
1.5	Pressurized air module	14
1.6	Control PCBA module	16
1.7	HMI module	18
1.8	Wire inlet module	19
1.9	Variant specific module	20
1.10	Dress kit for BoomFeed	21

1 SPARE PARTS

1.1 Housing module

C = Component designation in the circuit diagram					
Item	Qty	Ordering no.	Denomination	Notes	C
1	1		Floor frame		
2	1		Top frame	See item 103	
3	2		Frame		
4	2		Hatch	See items 101, 102 and 104	
5	1		Intermediate wall with overlay		
6	4	0446 011 002	Rectangular nut	M6	
7	4		Pin	See items 101, 102 and 104	
8	2		Spring plate	See item 103	
9	12		Screw Remform	5x16 Black	
10	4	0194 153 222	Screw Remform	3x8 FZB. See item 103	
11	1		Light guide key pad		
12	1	0446 874 001	Nut piece hatch	See item 101	
13	2		Screw	MRT black M4x8	
14	1		Screw	MRT FZB M3x6. See item 101	
15	1		Screw	MRT black M5x8. See item 101	
16	2		Spring plate booster	See item 103	
17	1		Overlay service hatch	See item 101	
18	1	0446 841 001	Overlay top	See item 103	
19	1		RoboFeed Edge emblem	See item 102	
	1		BoomFeed Edge emblem	See item 104	

Item	Ordering no.	Denomination	Notes
101	0448 241 880	Hatch kit maintenance side	Including items 4, 7, 12, 14, 15 and 17
102	0448 242 880	Hatch kit feeding mechanism side	Including items 4, 7 and 19
103	0448 243 880	Top frame kit	Including items 2, 8, 10, 16 and 18
104	0464 752 735	Hatch kit feeding mechanism side	Including items 4, 7 and 19

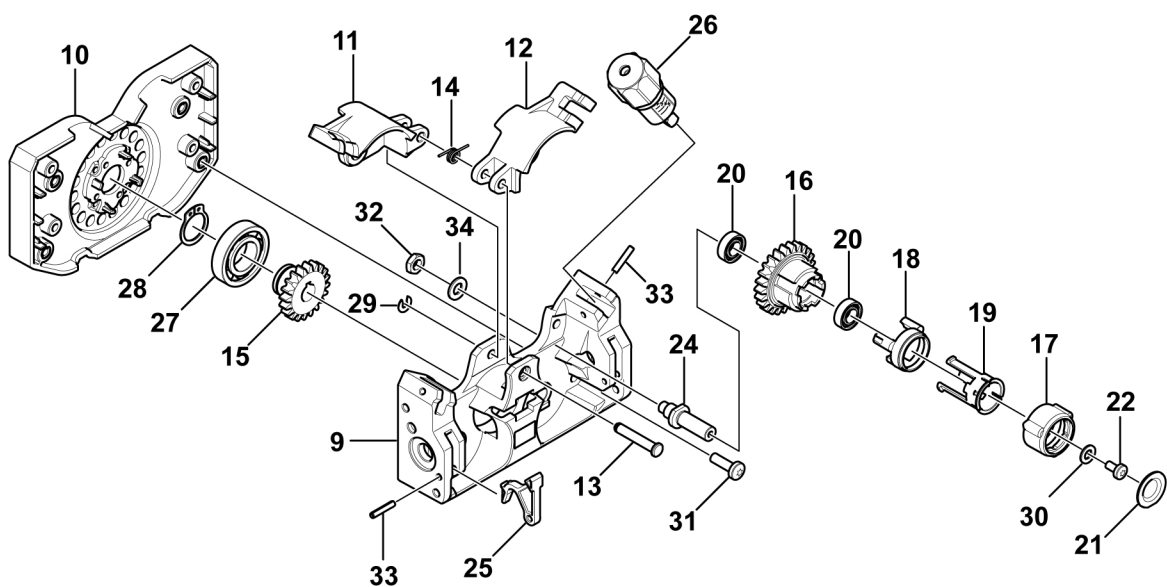
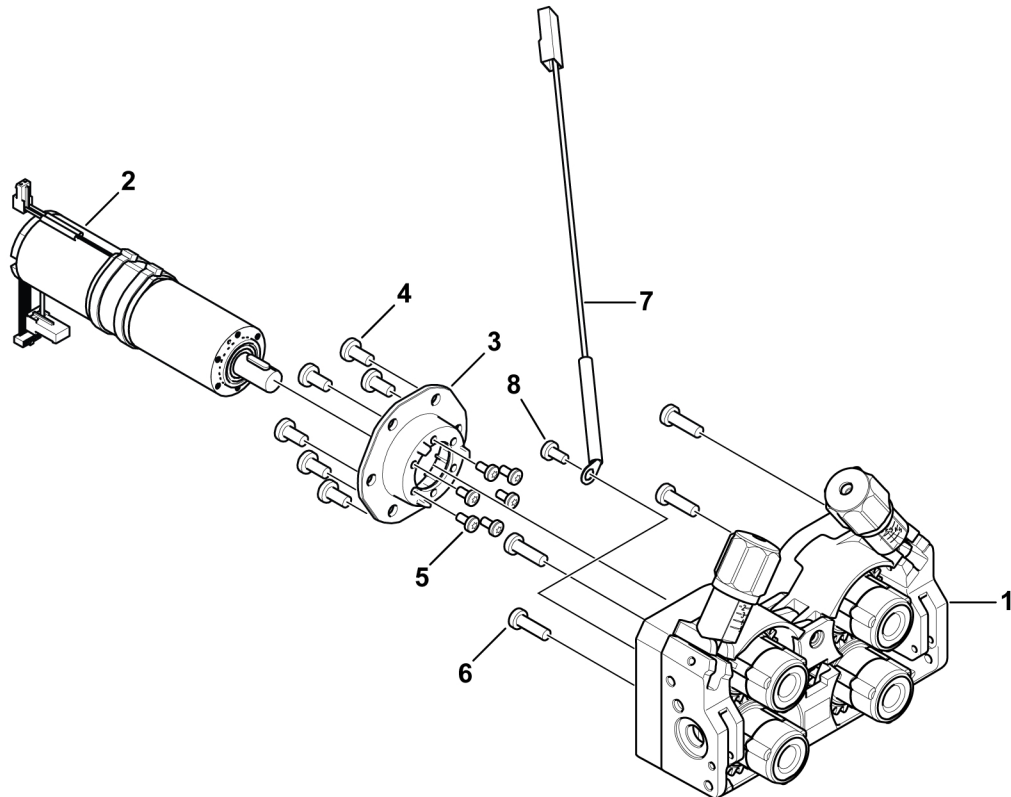


1.2 Drive unit module

C = Component designation in the circuit diagram					
Item	Qty	Ordering no.	Denomination	Notes	C
1	1	0445 630 881	Feeder mechanism Robofeed		
2	1	0446 897 880	Motor complete		
3	1	0446 568 001	Console plastic		
4	6		Screw	MRT black M5x10	
5	6		Screw	MRT FZB M3x6	
6	4	0194 153 330	Screw Remform	5x16 Black	
7	1		Harness HF connector		
8	1		Screw	MRT black M4x8	
9	1		Front plate	See item 204	
10	1		Back plate	See item 204	
11	1	0445 818 002	Swing arm left	See item 204	
12	1	0445 818 001	Swing arm right	See item 204	
13	1		Swing arm Shaft	See items 202 and 204	
14	1		Lift spring	See items 202 and 204	
15	1	0445 820 001	Motor pinion	See items 203 and 204	
16	4		Gear hub complete	See item 203	
17	4		Bezel	See item 203	
18	4		Driver	See item 203	
19	4		Retainer	See item 203	
20	8		Bearing	8×16×5 mm, see item 203	
21	4		Cover	See item 203	
22	4		Screw	MRT M4×8 black, see item 203	
24	4	0445 841 001	Feed roll shaft		
25	2	0446 059 001	Nozzle lever		
26	2	0445 831 880	Tensioner unit assembly		
27	1		Bearing	17×35×8 mm, see item 201	
28	1		Lock ring	d17, see item 201	
29	1		Circlip	d6/4, see item 202	
30	4		Washer	M4, see item 203	
31	4		Screw	MRT M5×16 black	
32	4	0349 312 091	Hexagon thin nut		
33	4		Spring pin	Ø3×16, see item 204	
34	4		Cup spring		

1 SPARE PARTS

Item	Ordering no.	Denomination	Notes
201	0464 667 883	Bearing and lock ring kit	Including items 27 and 28
202	0464 667 887	Swing arm shaft kit	Including items 13, 14 and 29
203	0464 667 893	Gear hub complete kit	Including items 15–22 and 30
204	0448 244 880	Feeder mechanism kit RoboFeed	Including items 9–15 and 33

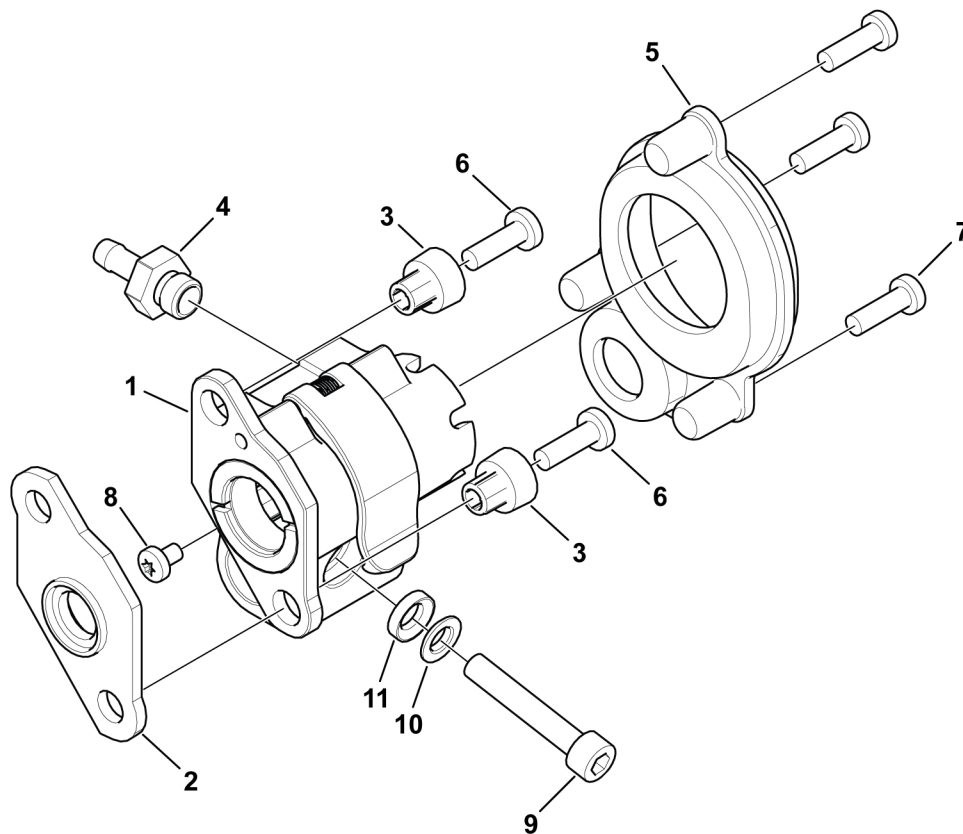


1.3 Torch module

1.3.1 TrueArc (RoboFeed)

C = Component designation in the circuit diagram					
Item	Qty	Ordering no.	Denomination	Notes	C
1	1		Torch connector Truearc	See item 301	
2	1		Torch connector insulator	See item 301	
3	2		Screw insulator	See item 301	
4	1		Brass fitting	See item 301	
5	1	0446 567 001	Panel insulator torch (Tweco, TAP)	See item 301	
6	2		Screw	MRT black M5x16. See item 301	
7	3		Screw Remform	5x16 Black	
8	1		Screw	MRT black M4x6	
9	1	0192 238 376	Screw MC6S	MC6S M6x35. See item 301	
10	1	0447 410 001	Spherical washer C	See item 301	
11	1	0447 410 002	Spherical washer D	See item 301	

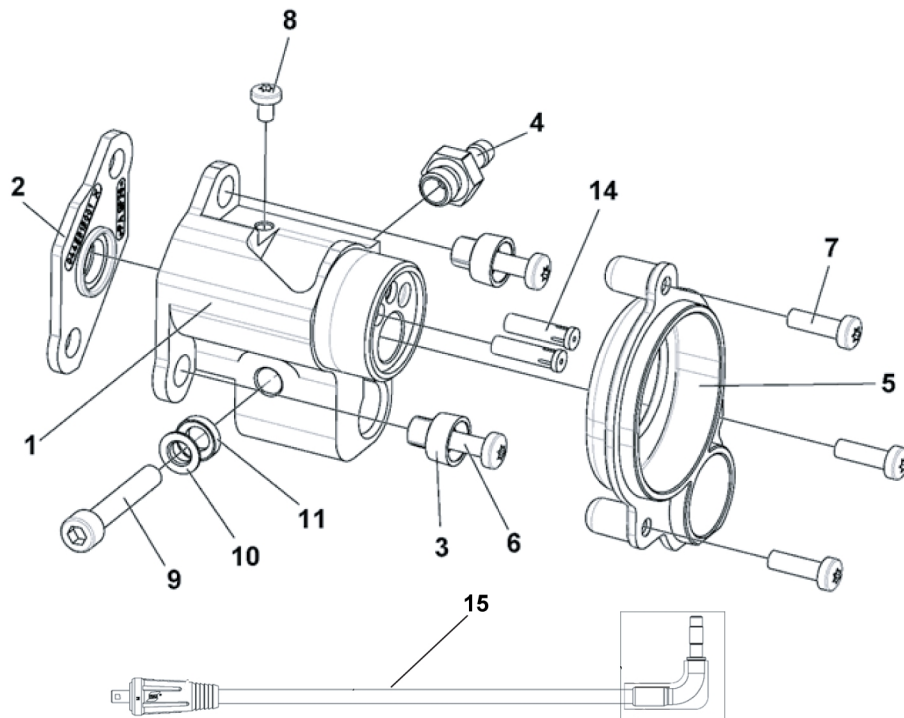
Item	Ordering no.	Denomination	Notes
301	0448 245 880	TrueArc connector kit	Including items 1, 2, 3, 4, 5, 6, 9, 10 and 11



1.3.2 Torch module CE RoboFeed / BoomFeed

C = Component designation in the circuit diagram					
Item	Qty	Ordering no.	Denomination	Notes	C
1	1		Torch connector Euro	See item 302	
2	1		Torch connector insulator	See item 302	
3	2		Screw insulator	See item 302	
4	1		Brass fitting	See item 302	
5	1	0446 567 002	Panel insulator torch (Euro)	See item 302	
6	2		Screw MRT black	MRT black M5x16. See item 302	
7	3		Screw Remform	5x16 Black	
8	1		Screw MRT black	MRT black M4x6	
9	1	0192 238 376	Screw MC6S	MC6S M6x35. See item 302	
10	1	0447 410 001	Spherical washer C	See item 302	
11	1	0447 410 002	Spherical washer D	See item 302	
12	1	A000 101 279	Trigger cable harness		
13	1	A000 101 293	Capacitor harness	BoomFeed	
14	2	0368 750 001	Insulating sleeve		
15	1		Weld cable	BoomFeed	

Item	Ordering no.	Denomination	Notes
302	0448 246 880	Euro connector kit	Including items 1, 2, 3, 4, 5, 6, 9, 10 and 11

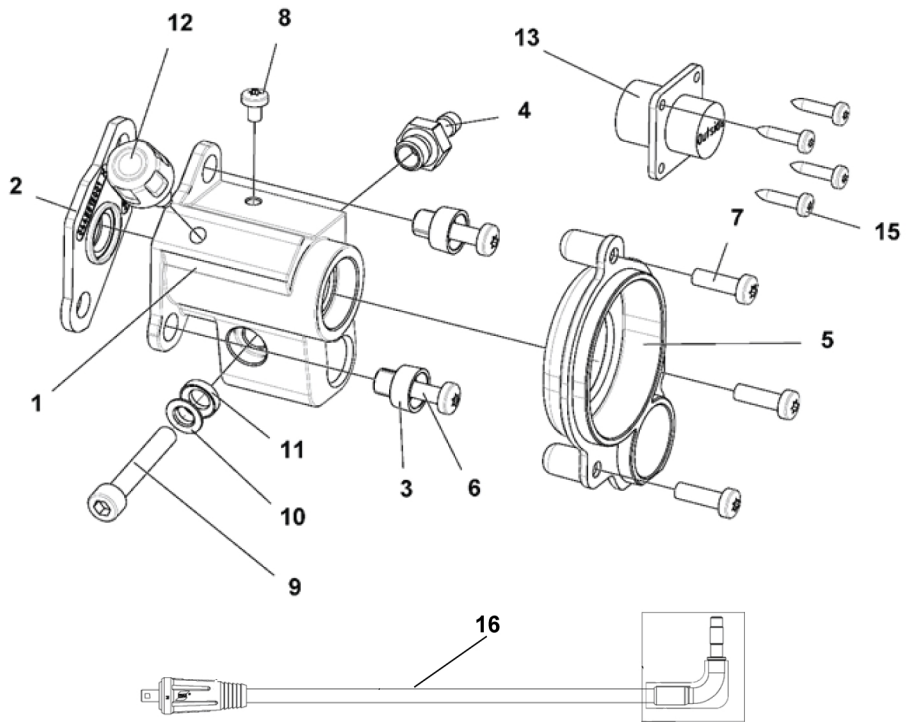


1.3.3 Torch module CSA RoboFeed/BoomFeed

C = Component designation in the circuit diagram					
Item	Qty	Ordering no.	Denomination	Notes	C
1	1		Torch connector Tweco	See item 303	
2	1		Torch connector insulator	See item 303	
3	2		Screw insulator	See item 303	
4	1		Brass fitting	See item 303	
5	1	0446 567 001	Panel insulator torch (Tweco)	See item 303	
6	2		Screw	MRT black M5x16, see item 303	
7	3		Screw Remform	5x16 black	
8	1		Screw	MRT black M4x6	
9	1	0912 238 376	Screw	MC6S M6x35, see item 303	
10	1	0447 410 001	Spherical washer C	See item 303	
11	1	0447 410 002	Spherical washer D	See item 303	
12	1	0446 026 002	Thumb screw		
13	1	A000 101 275	4-pol trigger cable harness		
14	1	A000 101 293	Capacitor harness BoomFeed		
15	4	0194 119 200	Insulating sleeve		
16	1	A000 101 277	Weld cable		

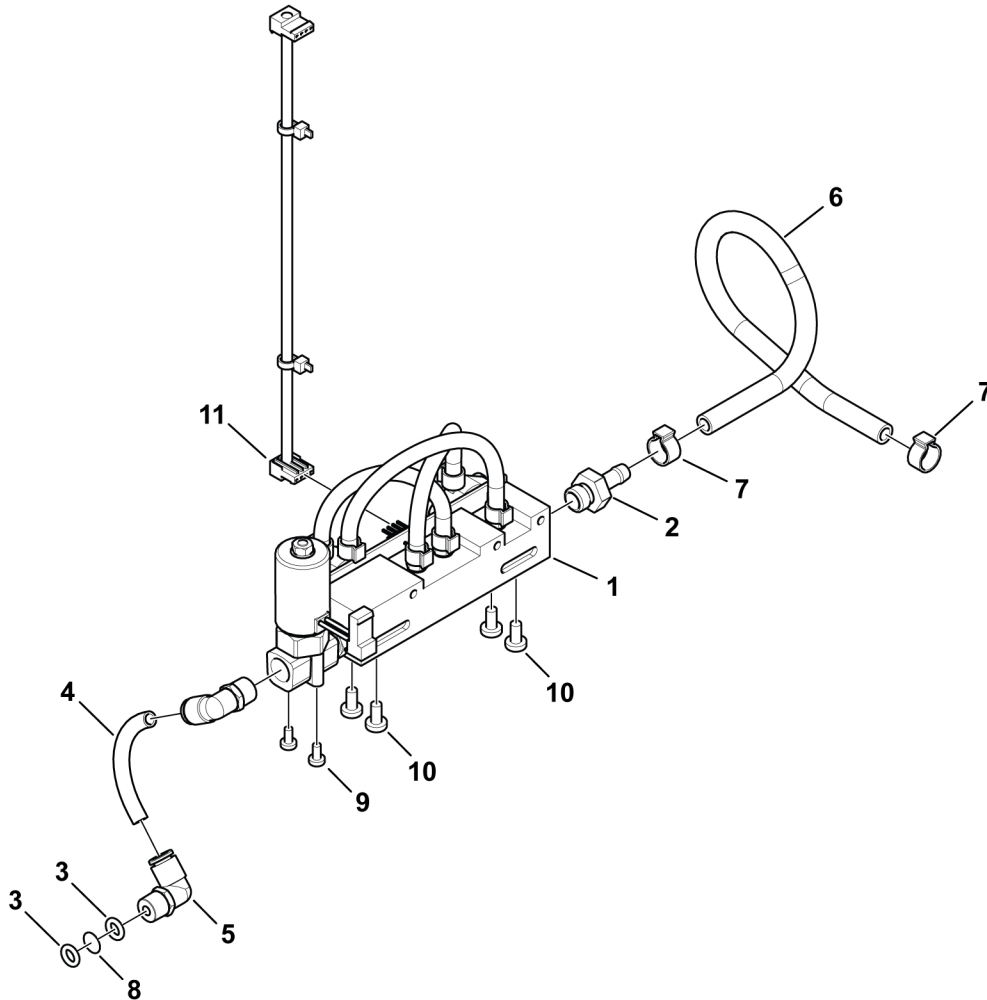
Item	Ordering no.	Denomination	Notes
303	0464 752 736	TrueArc connector kit, Tweco, BoomFeed	Including items 1, 2, 3, 4, 5, 6, 9, 10 and 11

1 SPARE PARTS



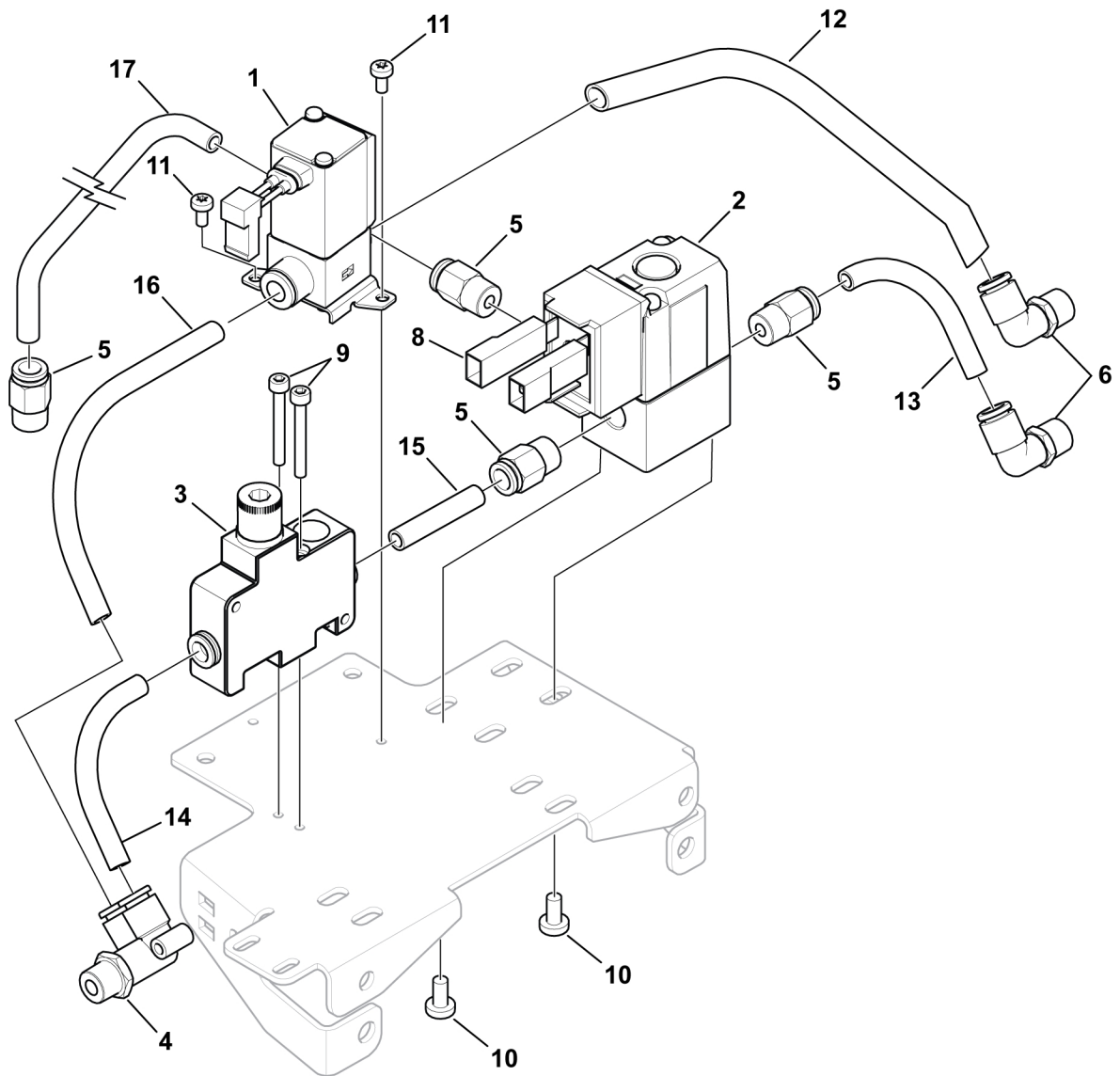
1.4 Gas control module digital

C = Component designation in the circuit diagram					
Item	Qty	Ordering no.	Denomination	Notes	C
1	1	0446 495 880	Digital gas control	Calibrate after replacement	
2	1	0445 856 001	Brass fitting		
3	2		O-ring	ID - 5 mm and thickness- 2 mm	
4	0.125 m		Tubing 0604	See item 601	
5	2	0446 564 001	Male elbow		
6	0.14 m	303P 070 000	Hose		
7	2	0368 978 005	Hose clamp		
8	1	0446 834 001	Gas filter disc		
9	2		Screw	MRT FZB M3x6	
10	4		Screw	MRT black M4x8	
11	1	0446 355 881	Gas module harness Robo		



1.5 Pressurized air module

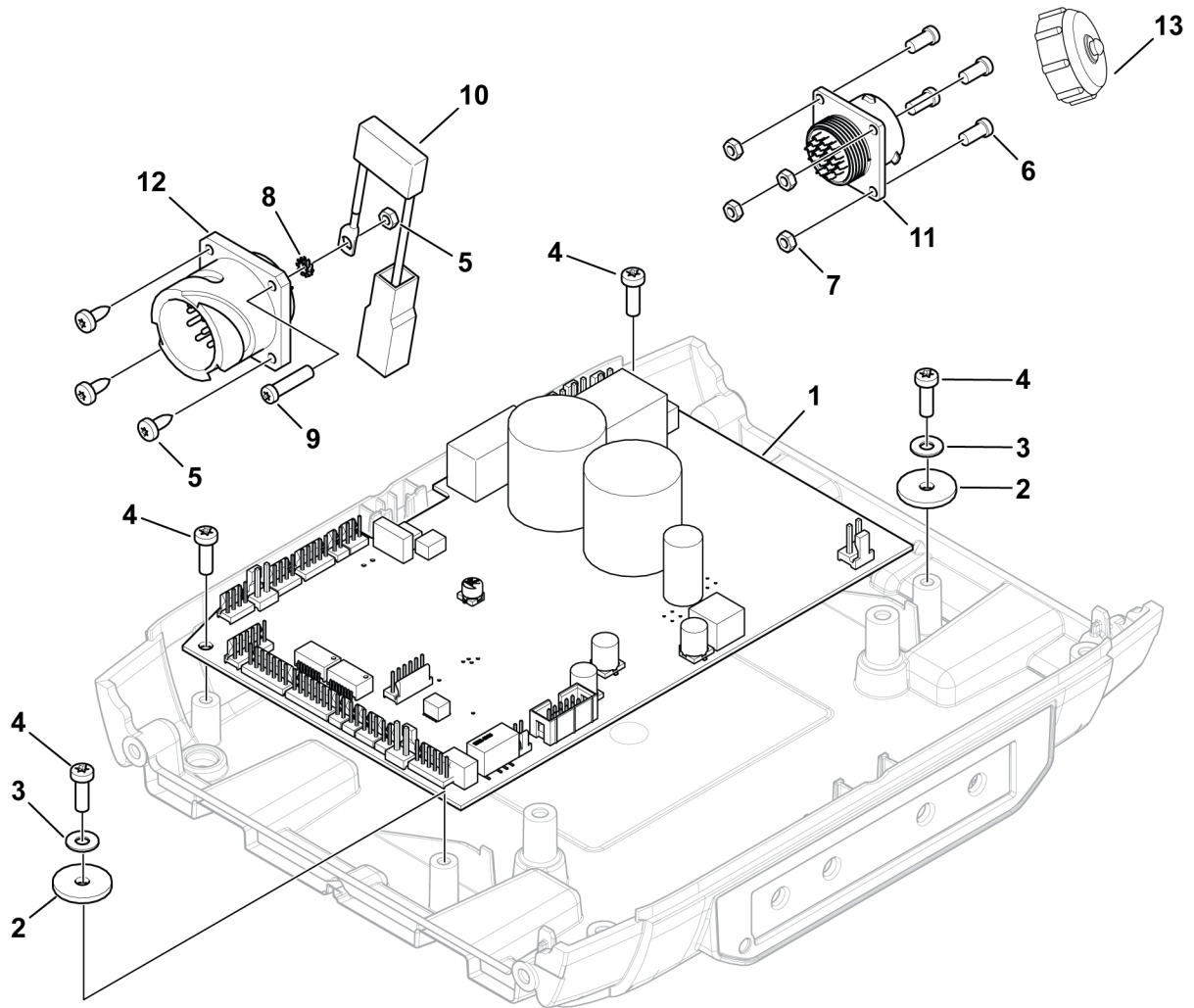
C = Component designation in the circuit diagram					
Item	Qty	Ordering no.	Denomination	Notes	C
1	1	0446 968 880	Air blowout valve complete		
2	1	0446 560 001	3-way valve		
3	1	0446 561 001	Pressure regulator		
4	1	0446 562 001	Branch union elbow		
5	4	0446 563 001	Push in fitting		
6	2	0446 564 001	Male elbow		
8	1	0446 891 880	Harness wire clamp valve		
9	2		Screw	MC6S M3x35	
10	2		Screw	MRT black M4x8	
11	2		Screw	MRT FZB M3x6	
12	0.17 m		Tubing 0604	See item 601	
13	0.085 m		Tubing 0604	See item 601	
14	0.085 m		Tubing 0604	See item 601	
15	0.057 m		Tubing 0604	See item 601	
16	0.14 m		Tubing 0604	See item 601	
17	0.25 m		Tubing 0604	See item 601	
Item	Ordering no.	Denomination		Notes	
601	0448 247 880	Hose kit		1.2 m. Including items 11 - 17. Cut the hoses as per the requirement	



1.6 Control PCBA module

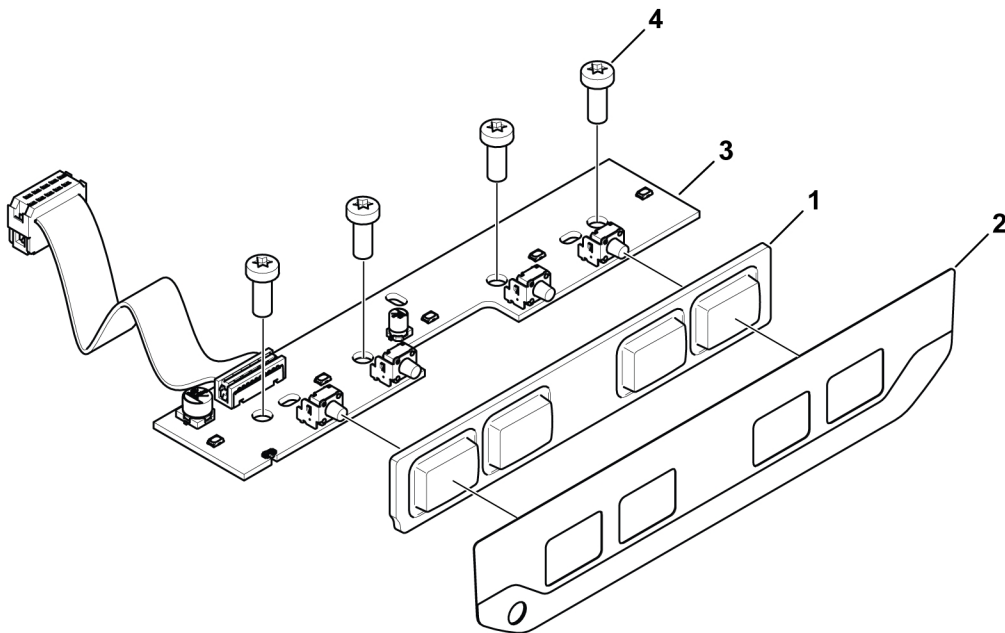
C = Component designation in the circuit diagram					
Item	Qty	Ordering no.	Denomination	Notes	C
1	1	0464 752 729	Control Board	BoomFeed, Euro, CE	13AP1
		0464 752 730	Control Board	BoomFeed, Truearc, CSA	
		0464 752 731	Control Board	RoboFeed, Euro, CE	
		0464 752 732	Control Board	RoboFeed, Truearc, CSA	
2	2	0446 765 001	Plastic washer		
3	2		Plain washer		
4	4		Screw Remform	4x12	
5	3	0194 119 200	Screw RTS	RTS. See item 601	
6	4		Screw MRT black	MRT black M3x10	
7	5		Hexagon nut	M3	
8	1		Lock washer	M3. See item 601	
9	1		Screw MRT black	MRT black M3x16. See item 601	
10	1		Capacitor / Shield flat pin	M4. See item 601	
11	1	0446 887 880	Harness power source		
		A000 101 274	19-pol remote cable harness	BoomFeed	
12	1		Harness torch interface	See item 601	
13	1	0447 029 003	Protection cap Receptacle 19-pol	BoomFeed	

Item	Ordering no.	Denomination	Notes
601	0448 248 880	Torch interface kit	Including items 5, 8, 9, 10 and 12



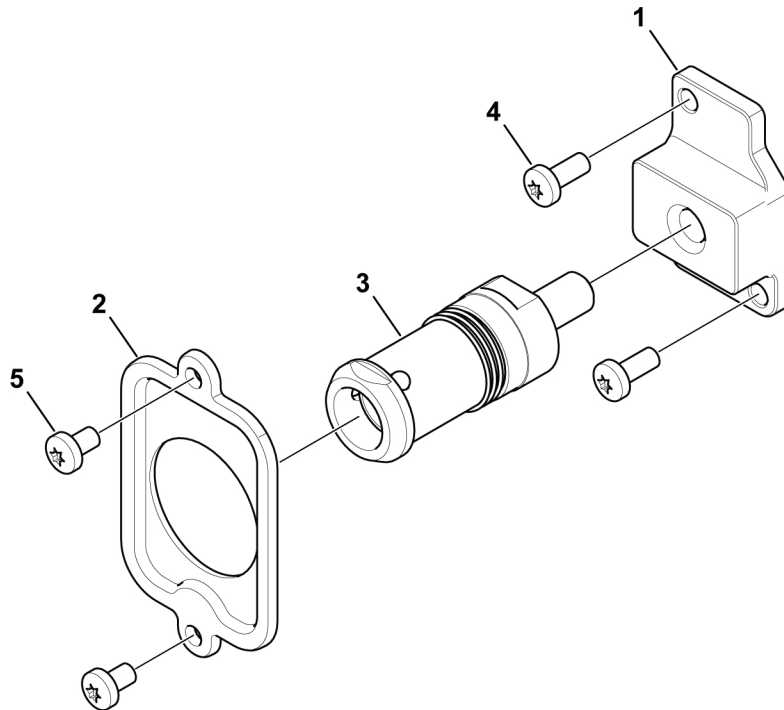
1.7 HMI module

C = Component designation in the circuit diagram					
Item	Qty	Ordering no.	Denomination	Notes	C
1	1	0446 569 001	Key pad		
2	1	0446 570 001	Overlay key pad		
3	1	0440 483 880	HMI PCBA		1AP1
		0464 752 737	HMI PCBA Harness kit	Including items 3 and 5	BoomFeed serial number before OP603
4	4		Screw Remform	4x10	
5	1	A000 101 599	HMI Harness assembly		



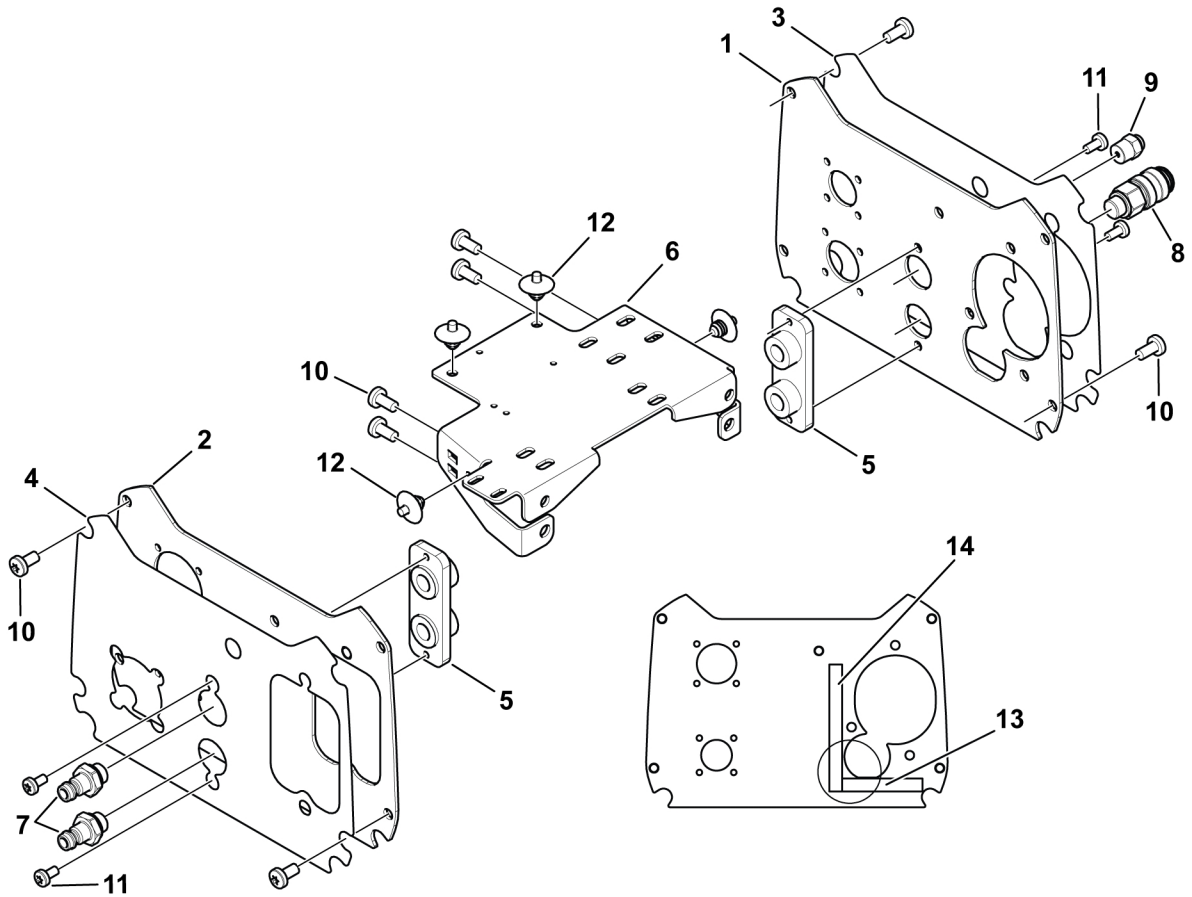
1.8 Wire inlet module

C = Component designation in the circuit diagram					
Item	Qty	Ordering no.	Denomination	Notes	C
1	1	0446 540 001	Wire inlet block		
2	1	0446 547 002	Panel insulator		
3	1	F102 440 880	Wire conduit connector		
4	2		Screw	MRT black M5x12	
5	2		Screw	MRT black M5x8	



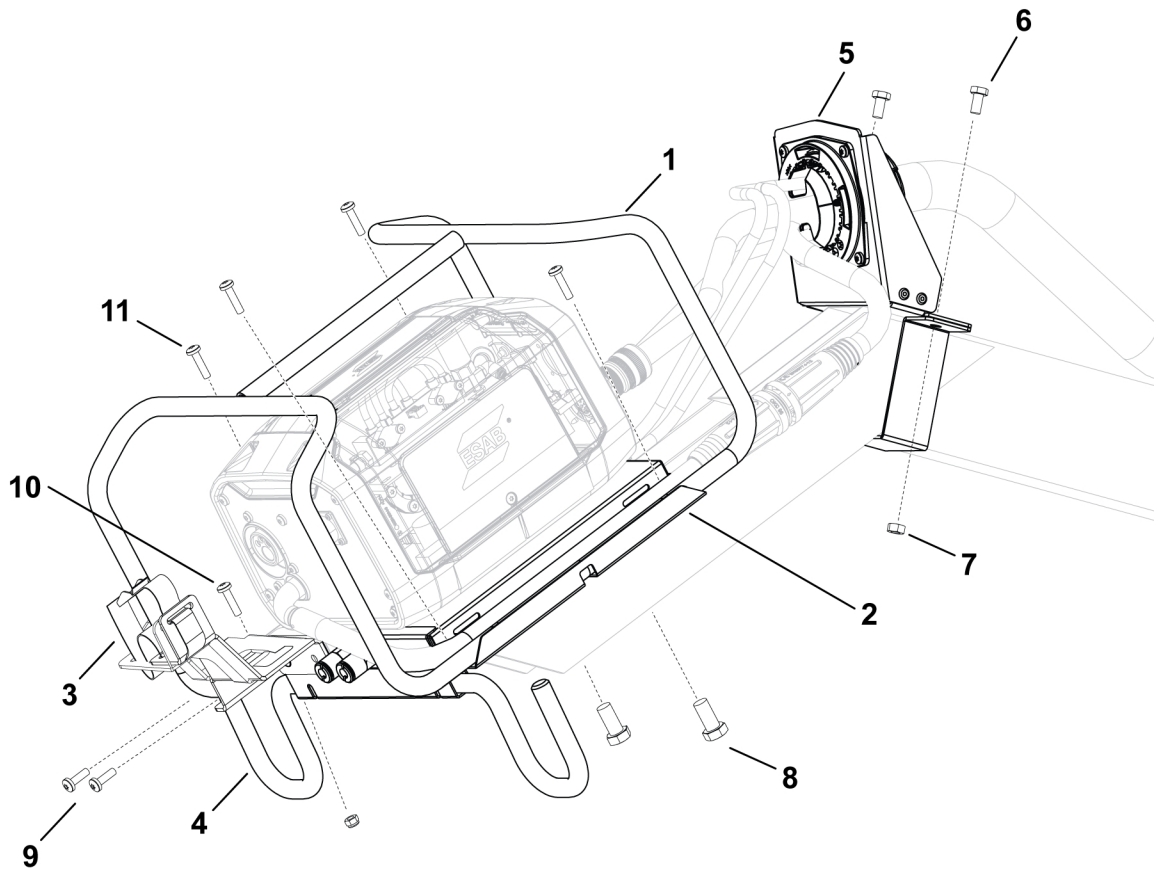
1.9 Variant specific module

C = Component designation in the circuit diagram					
Item	Qty	Ordering no.	Denomination	Notes	C
1	1	0446 863 880	Rear connector panel complete		
2	1	0446 516 001	Front connector panel	RoboFeed	
		A000 101 271		BoomFeed	
3	1	0446 553 001	Overlay rear (Single ethernet)	RoboFeed	
		A000 101 272		BoomFeed	
4	1	0446 553 002	Overlay front connector panel	RoboFeed	
		A000 101 278		BoomFeed CE	
		A000 101 273		BoomFeed CSA	
5	2	0446 565 001	Connector terminal		
6	1		Internal mounting bracket		
7	2	0446 788 002	Quick connector Plug		
8	1	0446 788 001	Quick connector Coupling		
9	1	0446 563 002	Push in fitting		
10	14		Screw	MRT black M5x8	
11	4		Screw	MRT black M4x8	
12	4		Tie wrap push mount		
13	0.5	0192 526 002	Sealing strip	1.5x8 mm	
14	0.07 9	0192 526 002	Sealing strip	1.5x8 mm	



1.10 Dress kit for BoomFeed

C = Component designation in the circuit diagram					
Item	Qty	Ordering no.	Denomination	Notes	C
1		A000 101 305	Protective cage		
2		A000 101 304	Feeder bracket with quick connect		
3		A000 101 417	Torch strain relief		
4		A000 101 314	Cable hanger		
5		A000 101 299	Strain relief bracket		
6	2		Screw	M5x16	
7	2		Nut	M5	
8	2		Bolts	M12x25	
9	2		Screw	M6x25	
10	1		Screw	M6x12, M6 nut	
11	4		Screw	M6x25, M6 nut	





A WORLD OF PRODUCTS AND SOLUTIONS.



For contact information visit esab.com

ESAB AB, Lindholmsallén 9, Box 8004, 402 77 Gothenburg, Sweden, Phone +46 (0) 31 50 90 00

manuals.esab.com

